



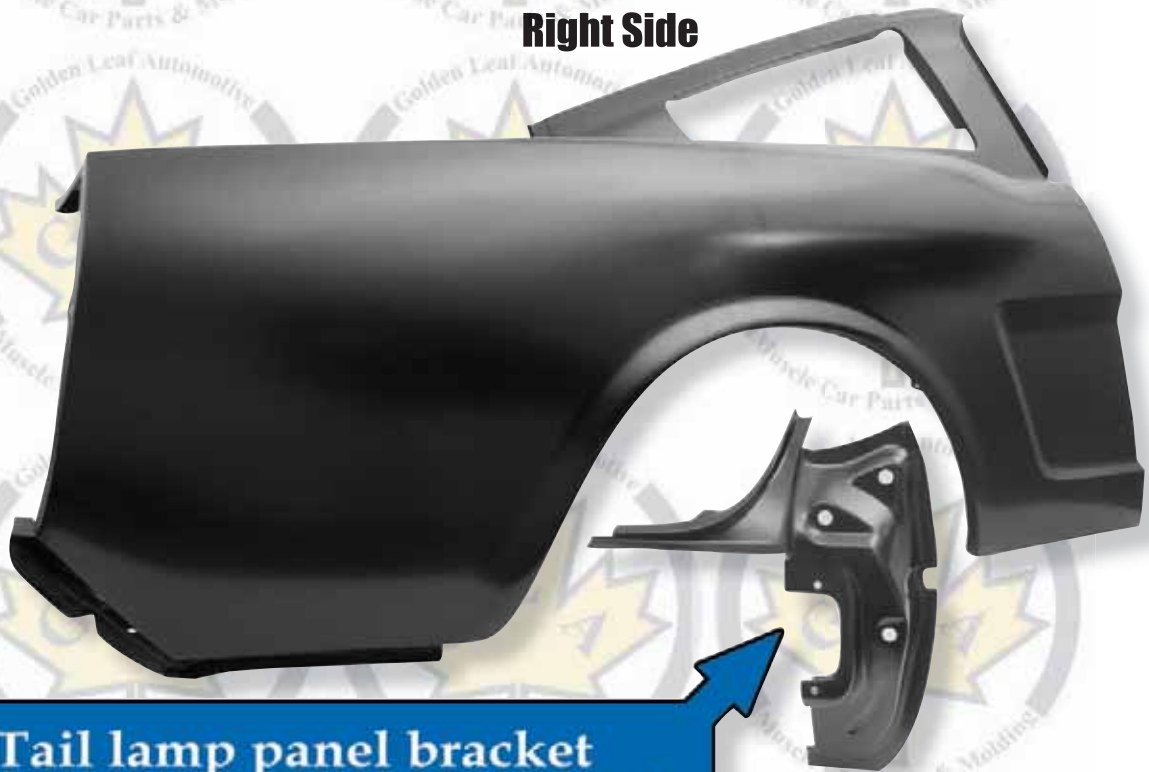
**MUSTANG**



**Now In Stock For September 2006**

# 1965-66 Full Quarter Panels

**3647EA**  
**Right Side**



**Tail lamp panel bracket  
included but not assembled**

**3647EA** 1965-66 RH Full Quarter Panel

**3647FA** 1965-66 LH Full Quarter Panel

**MSRP \$565.00 each**

**Order Line 1 (905) 850-3433 Fax Line 1 (905) 850-1722**

**visit us at [www.goldenleafautomotive.com](http://www.goldenleafautomotive.com)**

**Golden Leaf Automotive**

170 Zenway Blvd., Unit #2, Woodbridge, Ontario, Canada L4H 2Y7



**MUSTANG**



Now In Stock For September 2006

# 1965-66 Roof Rail Seals for Fastback



**3608I** 1965-66 Roof Rail Seals for Fastback

**MSRP \$70.00 pair**

Order Line 1 (905) 850-3433 Fax Line 1 (905) 850-1722

visit us at [www.goldenleafautomotive.com](http://www.goldenleafautomotive.com)



**MUSTANG**



**Now In Stock For September 2006**

# **1968 Full Quarter Panels for Fastback**



**3645G  
Right Side**

<b>3645G</b>	1968	RH Full Qtr. Panel for Fastback
<b>3645H</b>	1968	LH Full Qtr. Panel for Fastback

**MSRP \$620.00 each**

**Order Line 1 (905) 850-3433 Fax Line 1 (905) 850-1722**

visit us at [www.goldenleafautomotive.com](http://www.goldenleafautomotive.com)

**Golden Leaf Automotive**

170 Zenway Blvd., Unit #2, Woodbridge, Ontario, Canada L4H 2Y7



**MUSTANG**



Now In Stock For September 2006

# 1969-70 Window to Body Seals



**Fits Coupe and Convertible**

**3607C**

1969-70

Window to Body Seals

**MSRP \$20.84 pair**

Order Line 1 (905) 850-3433 Fax Line 1 (905) 850-1722

visit us at [www.goldenleafautomotive.com](http://www.goldenleafautomotive.com)

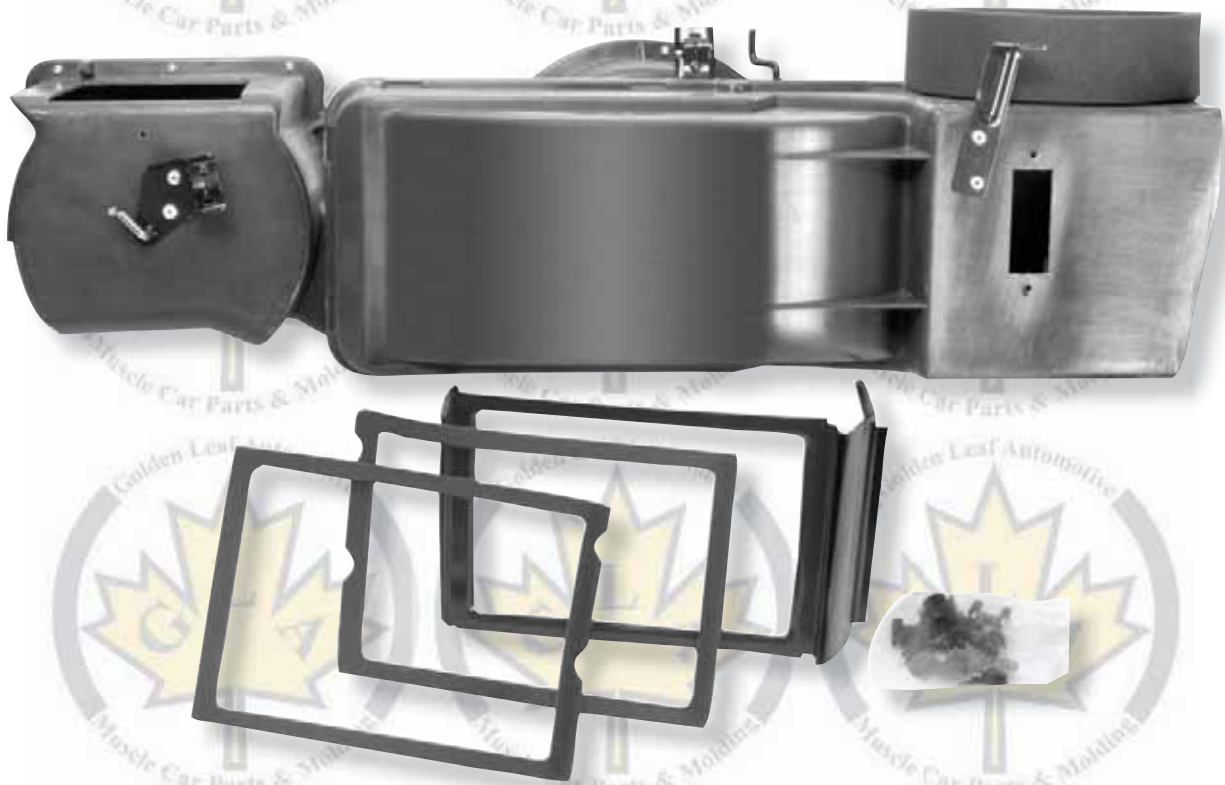


**MUSTANG**



**Now In Stock For September 2006**

# 1969-70 Heater Box



**M3518A**

1969-70

Heater Box

**MSRP \$395.00 each**

Order Line 1 (905) 850-3433 Fax Line 1 (905) 850-1722

visit us at [www.goldenleafautomotive.com](http://www.goldenleafautomotive.com)

**Golden Leaf Automotive**

170 Zenway Blvd., Unit #2, Woodbridge, Ontario, Canada L4H 2Y7



**MUSTANG**



Now In Stock For September 2006

# 1969-70 Window Glass Seals for Fastback



**3607D**

**3607E**

**3607D** 1969-70 RH Qtr. Glass Seal for FB

**3607E** 1969-70 LH Qtr. Glass Seal for FB

**MSRP \$20.84 each**

Order Line 1 (905) 850-3433 Fax Line 1 (905) 850-1722

visit us at [www.goldenleafautomotive.com](http://www.goldenleafautomotive.com)