



CHEVELLE™



1964-67 Shift Handle for Automatic Transmission



Order (905) 850-3433 • Fax (905) 850-1722

Goldenleaf Automotive • 170 Zenway Blvd., Unit # 2, Woodbridge, Ontario, Canada, L4H 2Y7

In Stock For September/October 2008

1498G

1964-67

Shift Handle, Auto. Trans

MSRP \$120.00 each

Visit us at www.goldenleafautomotive.com

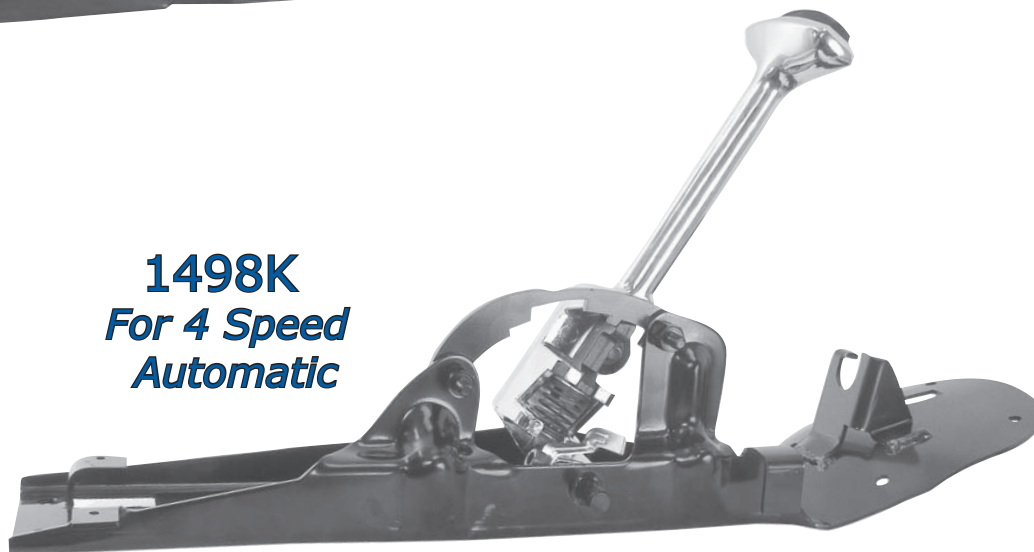
CHEVELLE™



1966-67 Shift Assemblies with Handles



1498J
*For 3 Speed
Automatic*



1498K
*For 4 Speed
Automatic*

Order (905) 850-3433 • Fax (905) 850-1722

In Stock For September/October 2008

1498J	1966-67	Shift Assy. w/Handle, Auto. 3 spd.
1498K	1966-67	Shift Assy. w/Handle, Auto. 4 spd.

MSRP \$220.00 each

Visit us at www.goldenleafautomotive.com

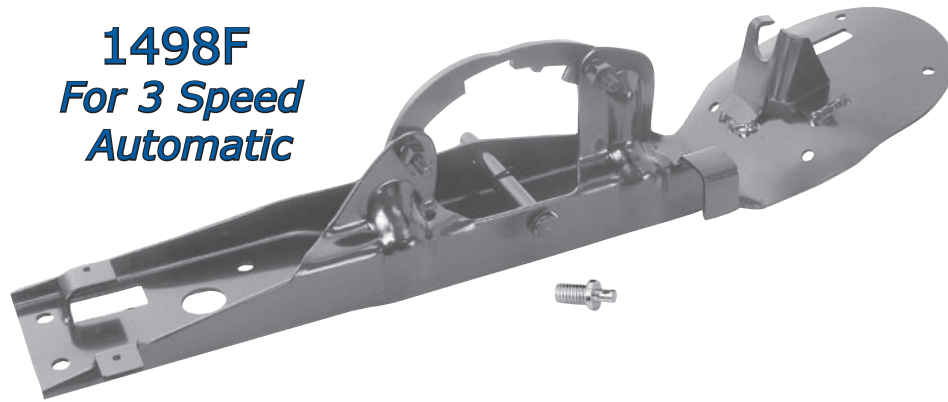


CHEVELLE™

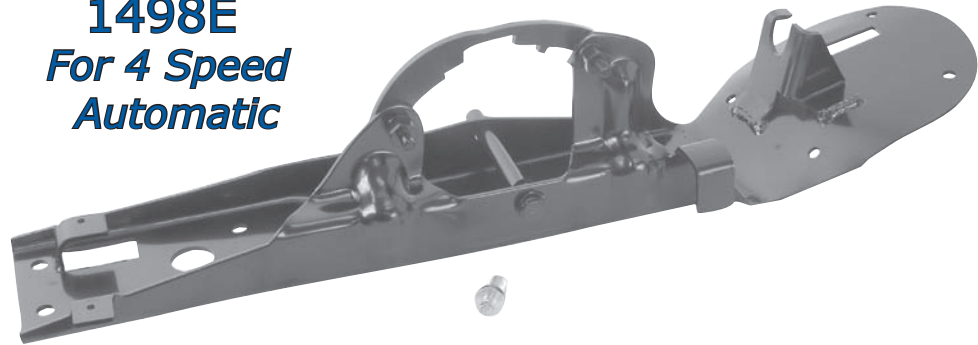


1966-67 Shift Bases

1498F
*For 3 Speed
Automatic*



1498E
*For 4 Speed
Automatic*



Order (905) 850-3433 • Fax (905) 850-1722

Goldenleaf Automotive • 170 Zenway Blvd., Unit # 2, Woodbridge, Ontario, Canada, L4H 2Y7

In Stock For September/October 2008

1498F 1966-67 Shift Base, Automatic 3 spd.

1498E 1966-67 Shift Base, Automatic 4 spd.

MSRP \$94.00 each

Visit us at www.goldenleafautomotive.com