



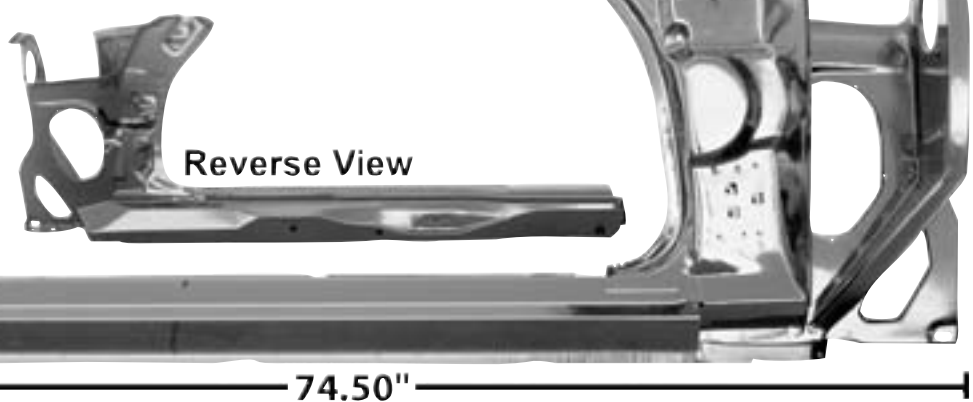
# 1970-73 Complete Rocker Panels

Order (905) 850-3433 • Fax (905) 850-1722



1067KA

**Box Size:**  
75.5" x 29.5" x 11.25"  
**Weight:**  
42 lbs.



28.25"

5.25"

Goldenleaf Automotive • 170 Zenway Blvd., Unit # 2, Woodbridge, Ontario, Canada, L4H 2Y7

**In Stock For June/July 2009**

|                           |         |                          |
|---------------------------|---------|--------------------------|
| 1067KA                    | 1970-73 | RH Complete Rocker Panel |
| 1067KB                    | 1970-73 | LH Complete Rocker Panel |
| <b>MSRP \$465.00 each</b> |         |                          |

Visit us at [www.goldenleafautomotive.com](http://www.goldenleafautomotive.com)



# 1969 Glove Box Door



Box Size:  
16.25" x 6.25" x 4.75"  
Weight:  
2.7 lbs.



Order (905) 850-3433 • Fax (905) 850-1722

Goldenleaf Automotive • 170 Zenway Blvd., Unit # 2, Woodbridge, Ontario, Canada, L4H 2Y7

**In Stock For June/July 2009**

1068EB

1969

Glove Box Door

**MSRP \$115.00 each**

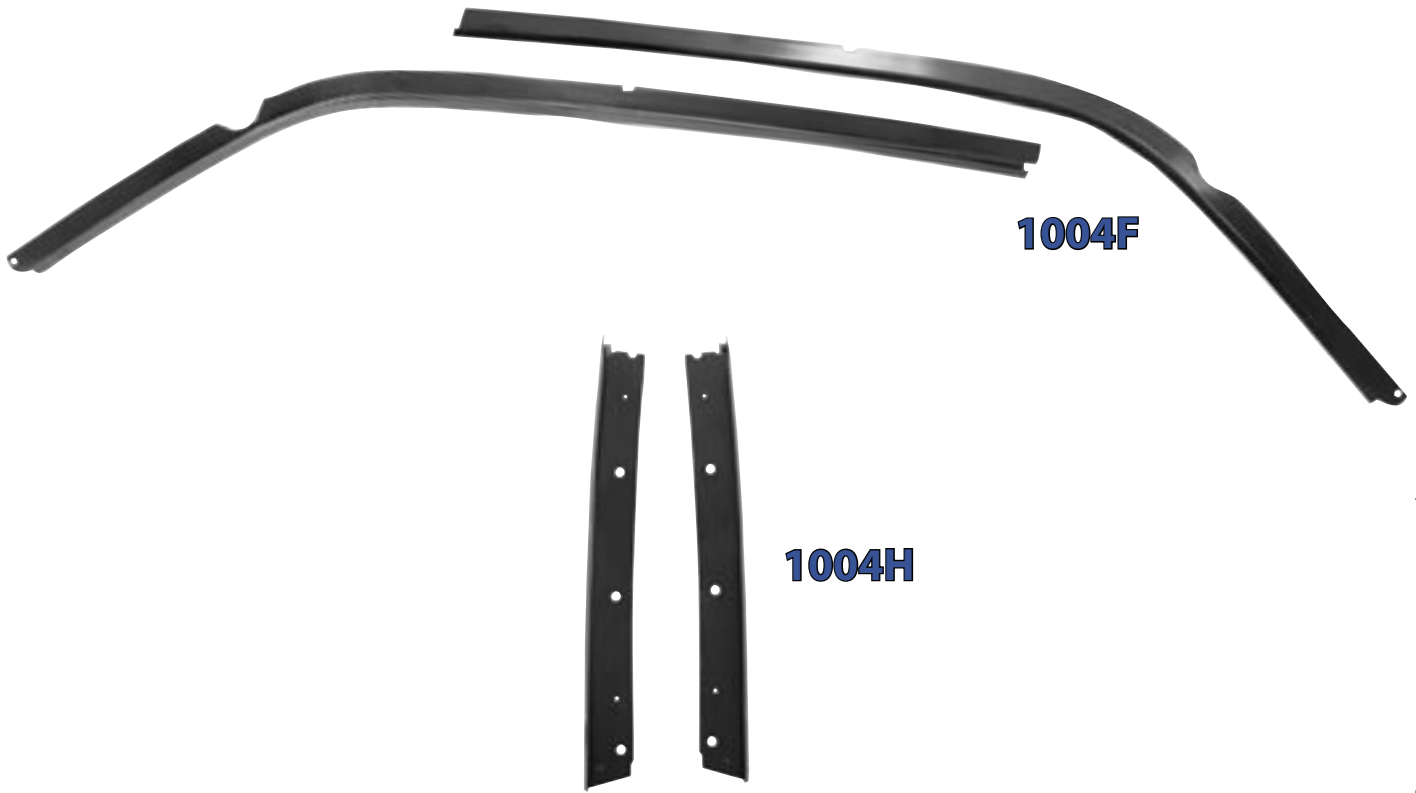
Visit us at [www.goldenleafautomotive.com](http://www.goldenleafautomotive.com)



# 1969-69 Drip Rails

Order (905) 850-3433 • Fax (905) 850-1722

Goldenleaf Automotive • 170 Zenway Blvd., Unit # 2, Woodbridge, Ontario, Canada, L4H 2Y7



**In Stock For June/July 2009**

1004F      1967-69      Roof Drip Rails  
**MSRP \$145.00 pair**

1004H      1967-69      Windshield Pillar Drip Rails  
**MSRP \$75.00 pair**

Visit us at [www.goldenleafautomotive.com](http://www.goldenleafautomotive.com)

**CAMARO®**



# 1970-73 Wiper Motor Transmission Arm

Order (905) 850-3433 • Fax (905) 850-1722



**In Stock For June/July 2009**

1073H

1970-73

Wiper Motor Trans. Arm

**MSRP \$135.00 each**

Visit us at [www.goldenleafautomotive.com](http://www.goldenleafautomotive.com)