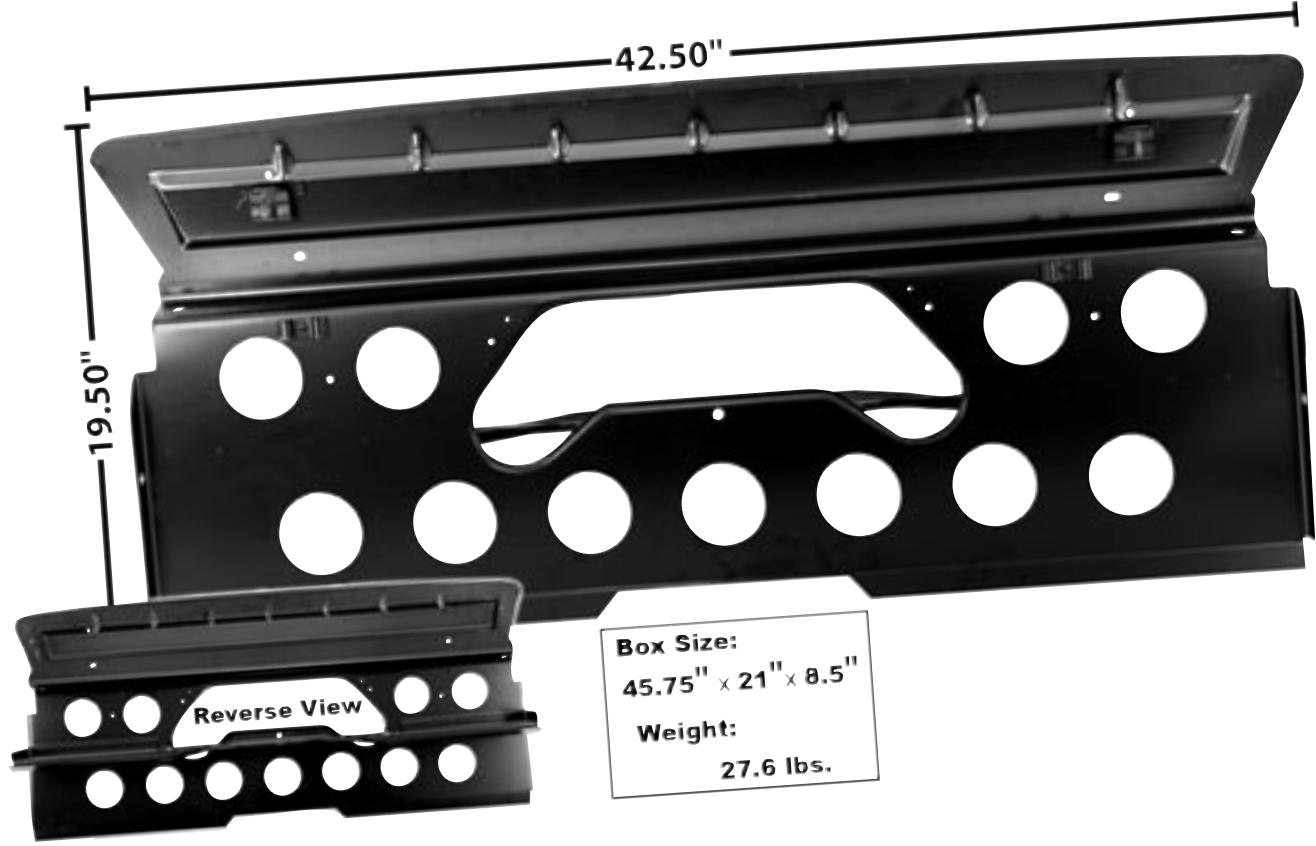




# 1969-70 Rear Seat Mount Panel for Convertible

Order (905) 850-3433 • Fax (905) 850-1722



**Box Size:**  
45.75" x 21" x 8.5"  
**Weight:**  
27.6 lbs.

Goldenleaf Automotive • 170 Zenway Blvd., Unit # 2, Woodbridge, Ontario, Canada, L4H 2Y7

**In Stock For June/July 2009**

3647YE      1969-70      R. Seat Mount Panel, CV  
**MSRP \$495.00 each**

Visit us at [www.goldenleafautomotive.com](http://www.goldenleafautomotive.com)



# MUSTANG®



## 1965-70 Front Frame Rail Extensions



Order (905) 850-3433 • Fax (905) 850-1722

**In Stock For June/July 2009**

3630W	1965-70	RH Frame Rail Extension
3630X	1965-70	LH Frame Rail Extension

**MSRP \$215.00 each**

Visit us at [www.goldenleafautomotive.com](http://www.goldenleafautomotive.com)